

## ROLLER BLINDS



# T.2T FREE

VERTICAL ROLLER BLIND WITH PATENTED TIGHTENING DEVICE AND FABRIC CLEAR OF SIDE HOLDING SYSTEMS.



### Main mechanical components

- Inspectable box, section mm 110x110, provided with small brush for outside infiltration protection and inside fabric scratches protection;
- Side guides containing the fabric, section mm 40x85, provided with double small brush;
- Bottom rail, section mm 40x70, provided with internal load bar to facilitate the fabric drop. Bottom gasket with PVC flap h. cm 7 (higher on demand, necessary in case of high floor gaps);
- Patented myShell® locking and fabric tightener unit on completely open fabric.

### Materials

- Primary extruded aluminum alloy UNI 6060-6063 profiles, finished with phosphate chromium plating and painted with epoxy powder polyester resin based, according to Qualicoat® regulation, UV rays resistant;
- Accessories in painted stainless steel AISI 304L and in anodized polished or painted UNI 6060 turned aluminum;
- Stainless steel screws.

### Operation

- Manual operation with cardan crank 1:11 and maneuvering rod with articulated handle;
- Tubular motor 230V/50hz IP44 push button panel controlled (pre-existing push button panel and or house automation electrical system connection) with electronic limit switch, specifically perceived for the fabric hooking/release operation through the patented myShell® device;
- Tubular radio motor 230V/50hz IP44 activated by remote control with 868,3 MHz IP20 frequency single channel or multichannel (5+1 and 10+3) remote control, black coloured; as an alternative, wall remote control with 868,3 MHz IP20 frequency single channel or multichannel (5+1), white coloured. Specifically perceived for the fabric hooking/release operation through the patented myShell® device.

### Maximal dimensions

- **T.2T SUN** waterproof PVC (110-S myShell® series), waterproof SUN SHADING (310 myShell® series), SUN SHADING (810 myShell® series), shading FABRIC (410 myShell® series):  
max width cm 500, max height cm 350 (according to the width).
- **T.2T NET** Insect screen NET (710 myShell® series):  
max width cm 500, max height cm 350 (according to the width).
- **T.2T CRISTAL** transparent CRISTAL (610 myShell® series):  
max width cm 500, max height cm 300 (according to the width).

### Structure and mechanical parts colours

WHITE	ROUGH matt	standard	(glossy finishing on request)
GREY	RAL 9006 pearl matt	standard	
CHARCOAL GREY	ROUGH matt	standard	
IVORY	ROUGH matt	standard	(glossy finishing on request)
RUSSET	ROUGH matt	standard	
BROWN	ROUGH matt	standard	(glossy finishing on request)
other RAL		Price surcharge	

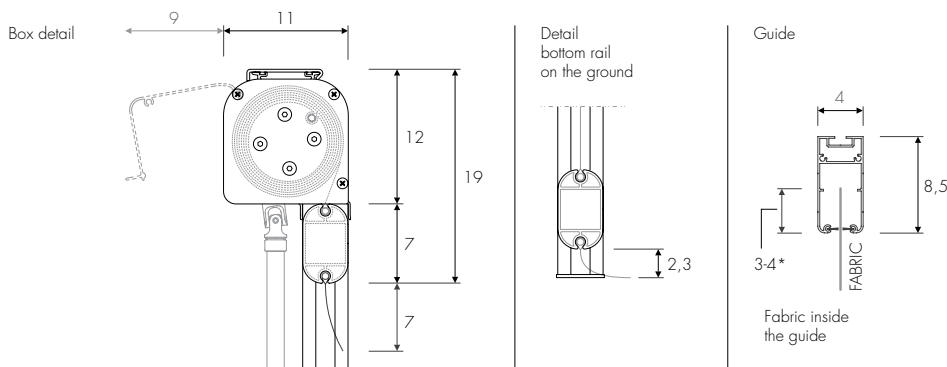
### Fabrics

- WATERPROOF PVC (110-S myShell® series)**  
 Structure made of high resistance polyester yarns coated with PVC and PVDF treated to improve its resistance to dirt. Manufactured with PRECONTRAIINT® technology, which confers a high dimensional stability and mechanical resistance to the fabric. Waterproof and Class 2 flame-retardant. Fabric made to measure with high frequency welding. Available in 11 colours.
- WATERPROOF SUN SHADING (310 myShell® series)**  
 Structure made of high resistance polyester yarns coated with PVC and waterproofed. Manufactured with PRECONTRAIINT® technology, which confers a high dimensional stability and mechanical resistance to the fabric. Soltis W96 is a waterproof screen characterized by an excellent brightness and thanks to its texture (visible in transparency) shows a high level of translucence able to let the natural light in without dazzling. The waterproof coating provides a strong resistance to rain. Soltis W96 protects from UV rays and reflects heat, regulating the temperature inside the sun-exposed rooms. Waterproof and Class M2 flame-retardant. Fabric made to measure with high frequency welding. Available in 5 colours.
- SUN SHADING (810 myShell® series)**  
 Structure made of high resistance polyester yarns coated with PVC, manufactured with PRECONTRAIINT® technology, which confers a high dimensional stability and mechanical resistance to the fabric. Thanks to its micro-perforated structure, Soltis 96 regulates the sun thermal effect, protecting from UV rays and reducing the use of air conditioning systems and its related energetic costs. It also maintains visibility to the outside, while keeping the visibility inward at the same time and ensuring the user's privacy. Class M2 flame-retardant. Fabric made to measure with ultrasonic welding. Available in 5 colors.
- shading FABRIC (410 myShell® series)**  
 100% acrylic fiber fabric. Durable and resistant fiber, water-repellent and ideal for UV rays protection. Fabric made to measure with ultrasonic welding. Available in 5 colors (other colours available in the Fanani Tende fabric collection);
- NET (710 myShell® series)**  
 Structure made of polyester yarns PVC coated; scratchproof (Pet screen) and shatterproof insect screen net, ideal for the insects protection and pet cohabitation. The net structure allows a regular air recirculation and a partial shading. Fabric made to measure with high frequency welding. Available in colours: grey and black.
- CRISTAL trasparente (610 myShell® series)**  
 Transparent film based on PVC resin with low thermal conductivity. It offers brightness and protects the rooms from the weather conditions.



Certifications CE – UNI EN 13561

### OVERALL DIMENSIONS



ROLLER BLINDS



# T.2T ZIP

VERTICAL ROLLER BLIND WITH SIDE ZIPS FOR HOLDING THE FABRIC.



### Main mechanical components

- Inspectable box, section mm 110x110, provided with small brush for outside infiltration protection and inside fabric scratches protection;
- Side guides containing the fabric, section mm 40x60, provided with ZIP sliding profiles;
- Bottom rail, section mm 40x70, provided with internal load bar to facilitate the fabric drop;
- Bottom round gasket (in case of floor gap, a flap bottom PVC gasket is suggested).

### Materials

- Primary extruded aluminum alloy UNI 6060-6063 profiles, finished with phosphate chromium plating and painted with epoxy powder polyester resin based, according to Qualicoat® regulation, UV rays resistant;
- Accessories in painted stainless steel AISI 304L and in anodized polished or painted UNI 6060 turned aluminum;
- Stainless steel screws.

### Operation

- Manual operation with cardan crank 1:11 and maneuvering rod with articulated handle;
- Tubular motor 230V/50hz IP44 push button panel controlled (pre-existing push button panel and or house automation electrical system connection) with electronic limit switch. The motor is endowed with the obstacle detection function when moving down;
- Tubular radio motor 230V/50hz IP44 activated by remote control with 868,3 MHz IP20 frequency single channel or multichannel (5+1 and 10+3) remote control, black coloured; as an alternative, wall remote control with 868,3 MHz IP20 frequency single channel or multichannel (5+1), white coloured. The motor is endowed with the obstacle detection function when moving down.

### Maximal dimensions

- **T.2T SUN** waterproof PVC (110-S myShell® series), waterproof SUN SHADING (310 myShell® series), SUN SHADING (810 myShell® series), shading FABRIC (410 myShell® series), SUN SCREEN (910 myShell® series):  
max width cm 500, max height cm 300 (according to the width).
- **T.2T NET** Insect screen NET (710 myShell® series):  
max width cm 500, max height cm 300 (according to the width).
- **T.2T CRISTAL** transparent CRISTAL (610 myShell® series):  
max width cm 500, max height cm 300 (according to the width).

### Structure and mechanical parts colours

WHITE	ROUGH matt	standard	(glossy finishing on request)
GREY	RAL 9006 pearl matt	standard	
CHARCOAL GREY	ROUGH matt	standard	
IVORY	ROUGH matt	standard	(glossy finishing on request)
RUSSET	ROUGH matt	standard	
BROWN	ROUGH matt	standard	(glossy finishing on request)
other RAL		Price surcharge	

### Fabrics

- WATERPROOF PVC (110-S myShell® series)**  
 Structure made of high resistance polyester yarns coated with PVC and PVDF treated to improve its resistance to dirt. Manufactured with PRECONTRAIINT® technology, which confers a high dimensional stability and mechanical resistance to the fabric. Waterproof and Class 2 flame-retardant. Fabric made to measure with high frequency welding. Available in 11 colours.
- WATERPROOF SUN SHADING (310 myShell® series)**  
 Structure made of high resistance polyester yarns coated with PVC and waterproofed. Manufactured with PRECONTRAIINT® technology, which confers a high dimensional stability and mechanical resistance to the fabric. Soltis W96 is a waterproof screen characterized by an excellent brightness and thanks to its texture (visible in transparency) shows a high level of translucence able to let the natural light in without dazzling. The waterproof coating provides a strong resistance to rain. Soltis W96 protects from UV rays and reflects heat, regulating the temperature inside the sun-exposed rooms. Waterproof and Class M2 flame-retardant. Fabric made to measure with high frequency welding. Available in 5 colours.
- SUN SHADING (810 myShell® series)**  
 Structure made of high resistance polyester yarns coated with PVC, manufactured with PRECONTRAIINT® technology, which confers a high dimensional stability and mechanical resistance to the fabric. Thanks to its micro-perforated structure, Soltis 96 regulates the sun thermal effect, protecting from UV rays and reducing the use of air conditioning systems and its related energetic costs. It also maintains visibility to the outside, while keeping the visibility inward at the same time and ensuring the user's privacy. Class M2 flame-retardant. Fabric made to measure with ultrasonic welding. Available in 5 colors.
- shading FABRIC (410 myShell® series)**  
 100% acrylic fiber fabric. Durable and resistant fiber, water-repellent and ideal for UV rays protection. Fabric made to measure with ultrasonic welding. Available in 5 colors (other colours available in the Fanani Tende fabric collection);
- SUN SCREEN (910 myShell® series)**  
 PVC coated fiberglass base fabric. Thanks to its interwoven structure, Screen regulates the sun thermal effect, protecting from UV rays and reducing the use of air conditioning systems and its related energetic costs. It also maintains visibility to the outside, while keeping the visibility inward at the same time and ensuring the user's privacy. Class CL.1 flame-retardant. Fabric made to measure with ultrasonic welding. Available in 5 colours.
- NET (710 myShell® series)**  
 Structure made of polyester yarns PVC coated; scratchproof (Pet screen) and shatterproof insect screen net, ideal for the insects protection and pet cohabitation. The net structure allows a regular air recirculation and a partial shading. Fabric made to measure with high frequency welding. Available in colours: grey and black.
- CRISTAL trasparente (610 myShell® series)**  
 Transparent film based on PVC resin with low thermal conductivity. It offers brightness and protects the rooms from the weather conditions.



Certifications CE – UNI EN 13561

### OVERALL DIMENSIONS

