

PERGOLE



IGLOO TECH

PERGOLA WITH LOAD-BEARING PURLINS AND WITH COVERING ROLLER BLIND. INTEGRATED GUTTER FOR WATER COLLECTION.



Main mechanical components

- Inspectable box containing the rolled fabric, section mm 150x164;
- Front support uprights, section mm 110x100;
- Side guides for ropes and fabric sliding, section mm 70x77/110, provided with bottom flap for water infiltration and light transmission containment;
- Inspectable bottom rail for fabric sliding, section mm 162x77, provided with race for rainwater collecting and channeling on side guides;
- Front supporting gutter, section mm 160x180, provided with draughtproof rubber gasket; water drainer to ground hidden in the upright;
- Purlins section mm 70x120;
- Side gutters (or central gutters in more than one module versions) provided with transparent silicone rubber gasket;
- Wall beam, section mm 70x120 (on request);
- Box wall rubber gasket with support profile (on request);
- Patented myShell® locking and fabric thightener device, active on completely open fabric.

Materials

- Primary extruded aluminum alloy UNI 6060-6063 profiles, finished with phosphate chromium plating and painted with epoxy powder polyester resin based, according to Qualicoat® regulation, UV rays resistant;
- Accessories in painted stainless steel AISI 304L and in anodized polished or painted UNI 6060 turned aluminum;
- Stainless steel screws.

Operation

- Tubular motor 230V/50hz IP44 radio or push button panel controlled (pre-existing push button panel and/or house automation electrical system connection) with electronic limit switch, specifically perceived for the fabric hooking/release operation through the patented myShell® device. Variable torque (Nm) according to the fabric dimension;
- Operation activated by remote control with 868,3 MHz IP20 frequency single channel or multichannel (5+1 and 10+3), black coloured; as an alternative, wall remote control with 868,3 MHz IP20 frequency single channel or multichannel (5+1), white coloured.

LED lighting system

myShell LED is the innovative lighting system designed exclusively for the line myShell®, to exalt its products shapes and create unique atmospheres. Flexible PVC-extruded stripes with semi-transparent polyurethane resin made seal, integrated in the purlins bottom part. 24V power source, IP67 waterproof stripe. Light available in colour white (cold, neutral, warm). On-Off electronic switching through myShell remote control or push button panel, or dedicated remote control for fixed and dimmable light.

Structure and mechanical parts colours

WHITE	ROUGH matt	standard
GREY	RAL 9006 pearl matt	standard
CHARCOAL GREY	ROUGH matt	standard
IVORY	ROUGH matt	standard
RUSSET	ROUGH matt	standard
BROWN	ROUGH matt	standard
other RAL		Price surcharge

Maximal dimensions

- Unlimited width (1 module max cm 500); max depth cm 580.

Fabrics

- **WATERPROOF PVC (110-S myShell® series)**

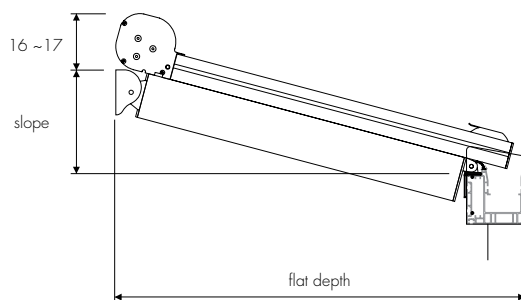
Structure made of high resistance polyester yarns coated with PVC and PVDF treated to improve its resistance to dirt. Manufactured with PRECONTRAI[®] technology, which confers a high dimensional stability and mechanical resistance to the fabric. Waterproof and Class 2 flame-retardant. Fabric made to measure with high frequency welding. Available in 11 colours.

- **WATERPROOF SUN SHADING (310 myShell® series)**

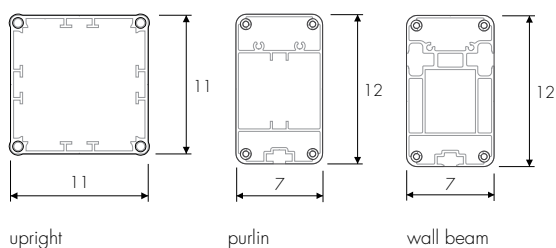
Structure made of high resistance polyester yarns coated with PVC and waterproofed. Manufactured with PRECONTRAI[®] technology, which confers a high dimensional stability and mechanical resistance to the fabric. Soltis W96 is a waterproof screen characterized by an excellent brightness and thanks to its texture (visible in transparency) shows a high level of translucence able to let the natural light in without dazzling. The waterproof coating provides a strong resistance to rain. Soltis W96 protects from UV rays and reflects heat, regulating the temperature inside the sun-exposed rooms. Waterproof and Class M2 flame-retardant. Fabric made to measure with high frequency welding. Available in 5 colours.



Certifications CE – UNI EN 13561



SECTIONS



OVERALL DIMENSIONS

